

# AquaVARIABLE JET

## Dynamic Water Patterns for Every Setting



AquaVARIABLE offers a versatile and dynamic water display, powered by two pumps. This innovative nozzle can produce a wide range of spray patterns, from a broad water bell to a focused single stream. By independently controlling each pump's speed, you can effortlessly create a variety of captivating water effects, enhancing any fountain or water feature. Experience the art of water movement like never before with the flexibility of AquaVARIABLE.

- ✓ Customizable water effects with a dual-pump system
- ✓ Suitable for 24VDC AquaVARIO Pump x2
- ✓ AquaLIGHT x3-6 (Optional)
- ✓ DryDECK Accessories available
- ✓ Hose / PVC Connection
- ✓ Robust Stainless Steel Body
- ✓ 24VDC Powered & DMX-RDM Controlled
- ✓ IP68 Socketed One Cable Connection
- ✓ Synchronorm Depence Library available



AquaVARIABLE JET



AquaVARIABLE JET  
Drydeck

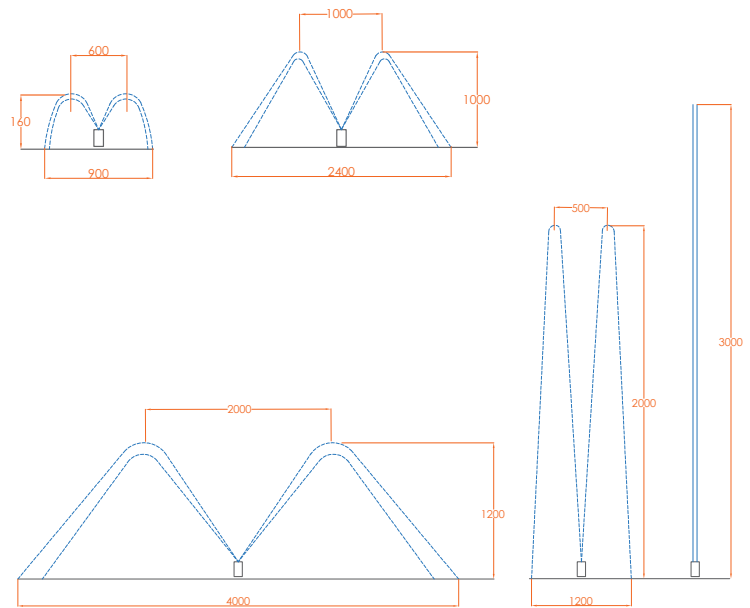
# AquaVARIABLE JET



## TECHNICAL DETAILS

MODEL :	AquaVARIABLE JET
DIMENSION (ØxH) :	69x719 mm
MATERIAL :	Stainless Steel
WEIGHT :	10 kg
POWER & DMX :	Combo Cable
VOLTAGE :	24 VDC
MAX WATER HEIGHT :	3 m
PRODUCT NO :	1211

## Height Performance Schematic :



## COMPATIBLE ELEMENTS AND ACCESSORIES

### PRODUCT GROUP SEE

Nozzles : Accessory nozzles

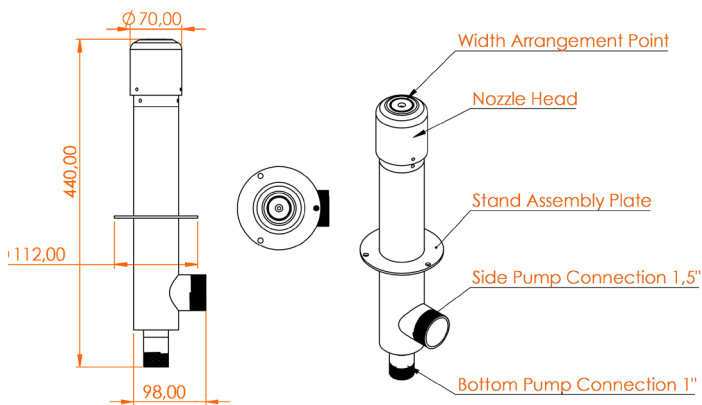
Connection : Connection accessories

Controlling : Control accessories

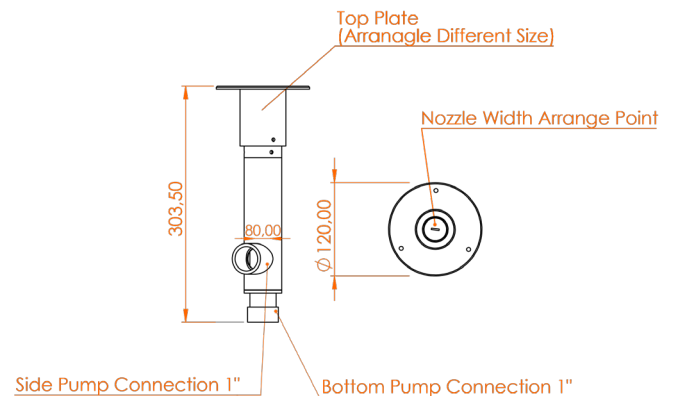
Holder and Stand : Holder and Stand Accs.

Lighting : Lighting Series

## AquaVARIABLE JET Schematic :



## AquaVARIABLE JET Drydeck Schematic :



## Schematic With Stand :

